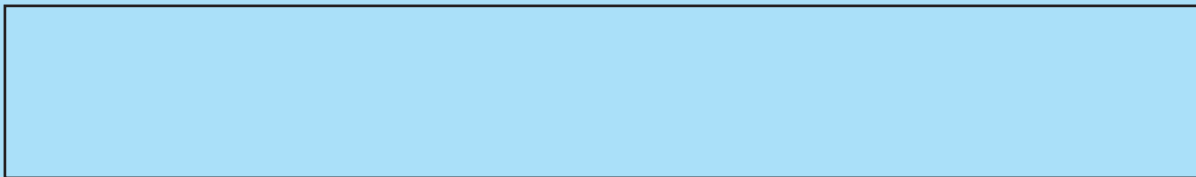


# OWNER'S MANUAL

**V-CD281NTY**

Bagless vacuum cleaner





# Table of contents

<b>Safety Information</b> .....	3
<b>How to Use</b> .....	4
Assembling cleaner.....	4
Emptying the Dust Chamber.....	6
Operating the cleaner.....	7
Cleaning the Filter.....	8
Cleaning the Exhaust Filter.....	9
Blower Function.....	10
Using the Sani Punch Nozzle.....	12
Using telescopic pipes.....	17
Using accessory nozzles.....	18
Troubleshooting.....	19

# Safety Information

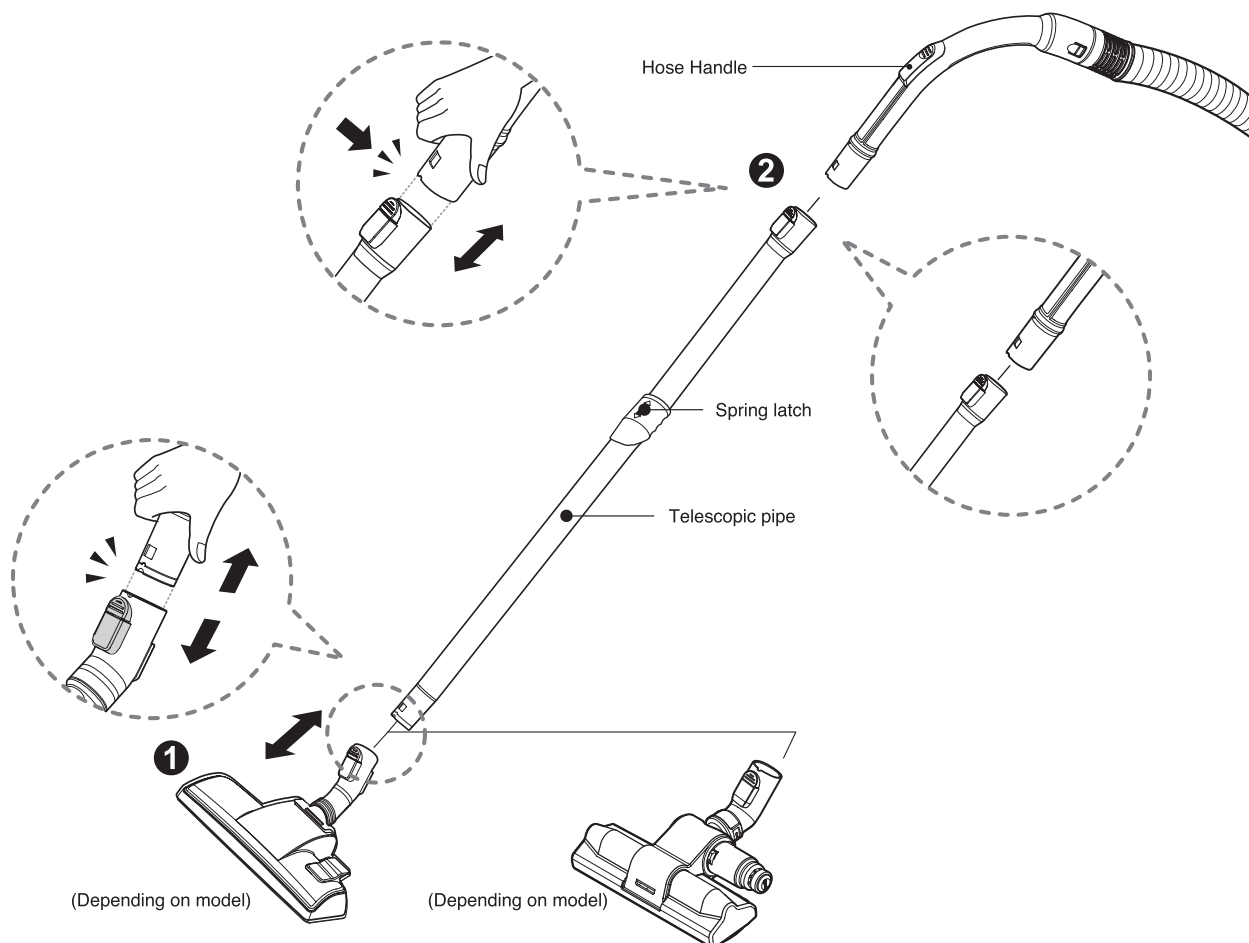
Please read the following information, which contains important instructions for the use and maintenance of the appliance.

This appliance complies with the following EC Directives: -73/23/EEC, 93/68/EEC-Low Voltage Directive-89/336EEC -EMC Directive.

- The appliance is not intended for use by young children or infirm persons without supervision.
- Young Children should be supervised to ensure that they do not play with appliance.
- If the appliance is supplied from a cord extension set or an electrical portable outlet device, the cord extension set on electrical portable outlet device must be positioned so that it is not subject to splashing or ingress of moisture.
- Do not use the appliance if the power cord is damaged or faulty.
- If the power cord is damaged, it must be replaced by an approved LG Electronics Service Centre.
- Always switch the vacuum cleaner off before:
  - Emptying the dust chamber.
  - Cleaning or changing the filters.
- Do not vacuum flammable or explosive substances(liquids or gases).
- Do not vacuum hot ash, embers etc. nor sharp objects.
- Do not vacuum water or other liquids.
- Do not unplug by pulling on cord.
- Use only LG's recommended filters.
- When you vacuum with an attachment appliance that has a rotating brush roller:
  - Do not reach into the running brush roller.
- The application is not intended for use by young children or infirm persons without supervision.

**Thermal protector:** This vacuum cleaner has a special thermostat that protects the cleaner in case of motor overheating. If the cleaner suddenly shuts off, turn off the switch and unplug the cleaner. Check the cleaner for a possible source of overheating such as a full dust chamber, a blocked hose or clogged filter. If blockage or obstruction is located, remove and wait at least 30 minutes before attempting to use the cleaner. After the 30 minutes period, plug the cleaner back in and turn on the switch. If the cleaner still does not run, please contact your approved LG service centre.

# How to use Assembling vacuum cleaner

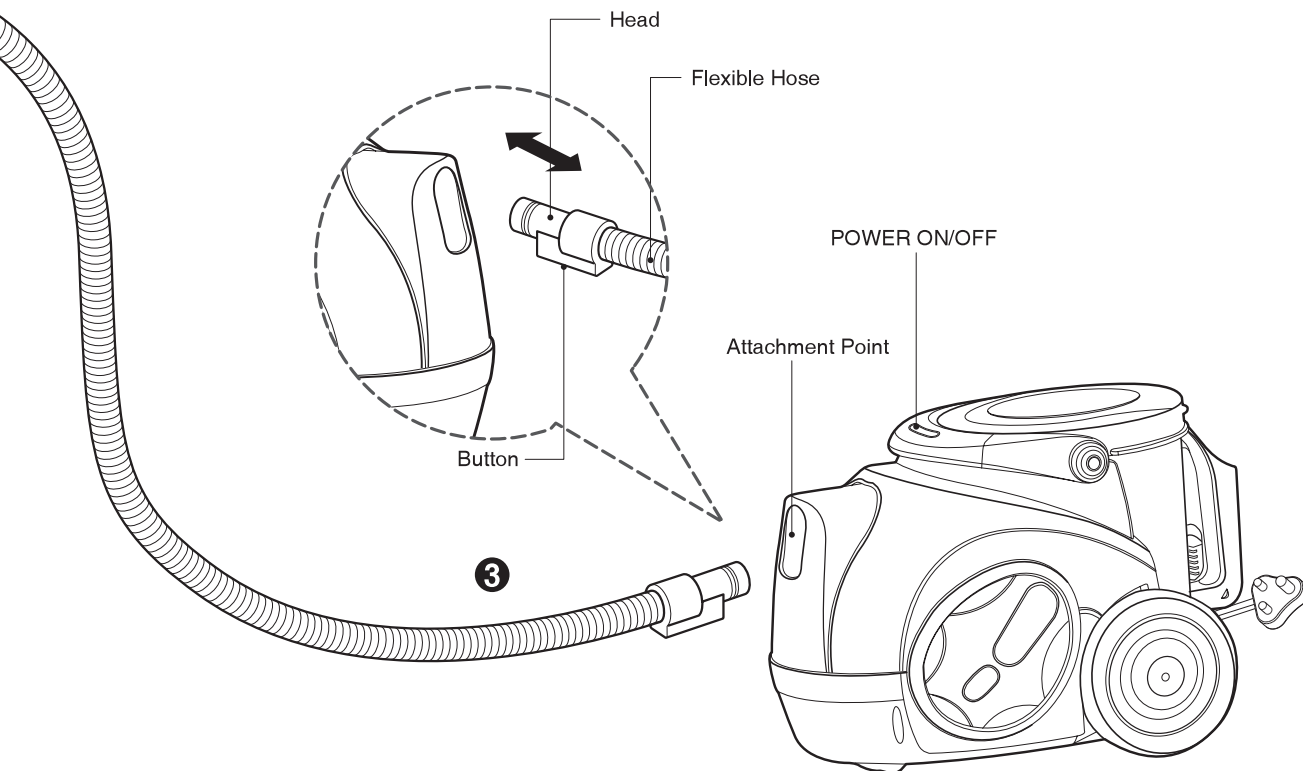


## 1 The 2 position head (depending on model)

Push telescopic tube into nozzle outlet.

## 2 Telescopic tube (depending on model)

- Press the spring latch to release.
- Pull out the tube to the desired length.
- Release spring latch to lock the tube in position.
- Push telescopic tube into hose handle firmly.



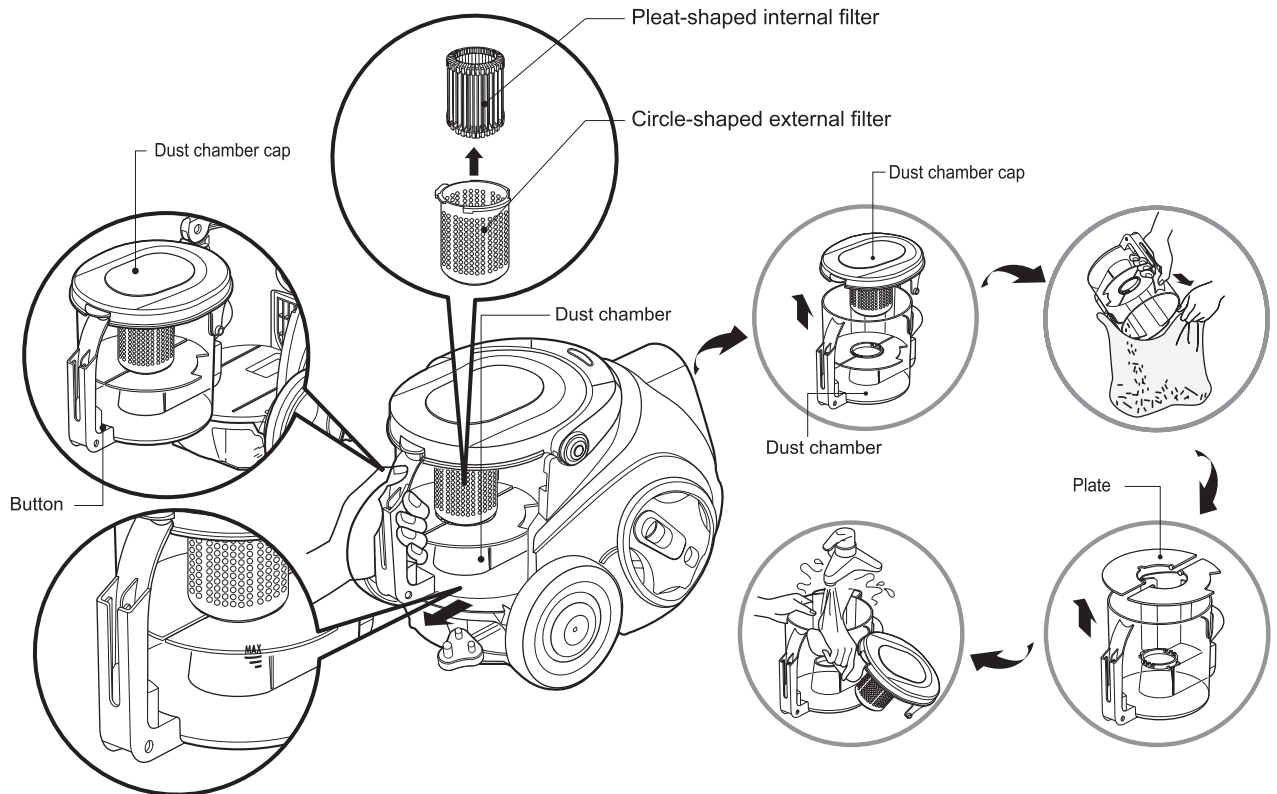
### 3 Connecting the flexible hose

- Push the end of the head on the flexible hose into the attachment point on the vacuum cleaner.
- To remove the flexible hose from the vacuum cleaner, press on the button situated on the head, then pull the head out of the vacuum cleaner.

#### CAUTION

- Suction power may be weakened when insignificant dusts are sucked. In this case, clean the filter.
- Make the dust box empty if dusts are filled to the maximum degree and then clean the filter when it becomes 5 times.

## How to Use Emptying the dust chamber



### Suction power may be weakened when insignificant dusts are sucked. In this case, clean the filter.

- Turn off the vacuum cleaner and unplug it.
- Your vacuum cleaner is equipped with both a dust chamber and a motor filters.

Press the button and pull the dust chamber forward.

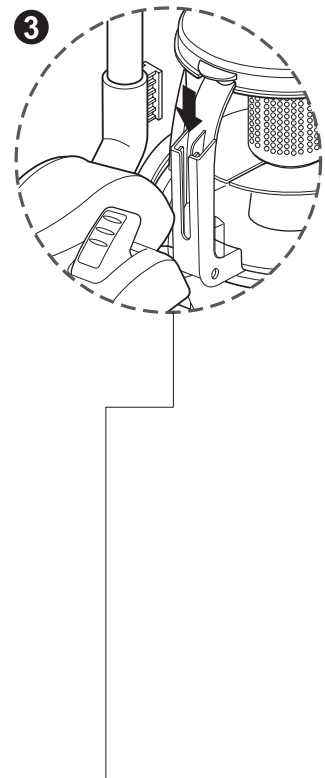
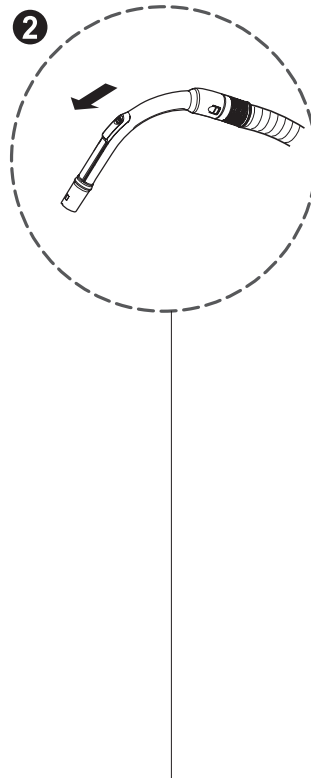
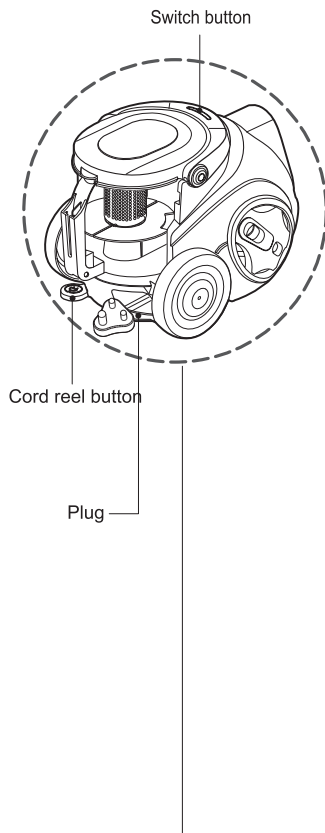
Remove the dust chamber cap.

Clean the pleat-shaped and the circle-shaped filters.

- To reinstall the dust chamber, replace the dust chamber cap and push the dust chamber into the tank mount as far as it will go.

- Open the dust chamber cap.
- Remove two plates from the dust chamber.
- Wash both parts with softcloth. Gently rinse both parts under cold running water.

# How to Use Operating the cleaner.



## 1 How to Plug in and Use

- Pull out the power cord to the desired length and plug into the socket.
- Push the suction control switch of the hose handle in the direction of the position you want.
- To stop it, push down the suction control switch in the direction of OFF.
- Press switch button to start the vacuum cleaner.
- To stop it, press the switch button again.
- Press the cord reel button to retract the power cord after use.

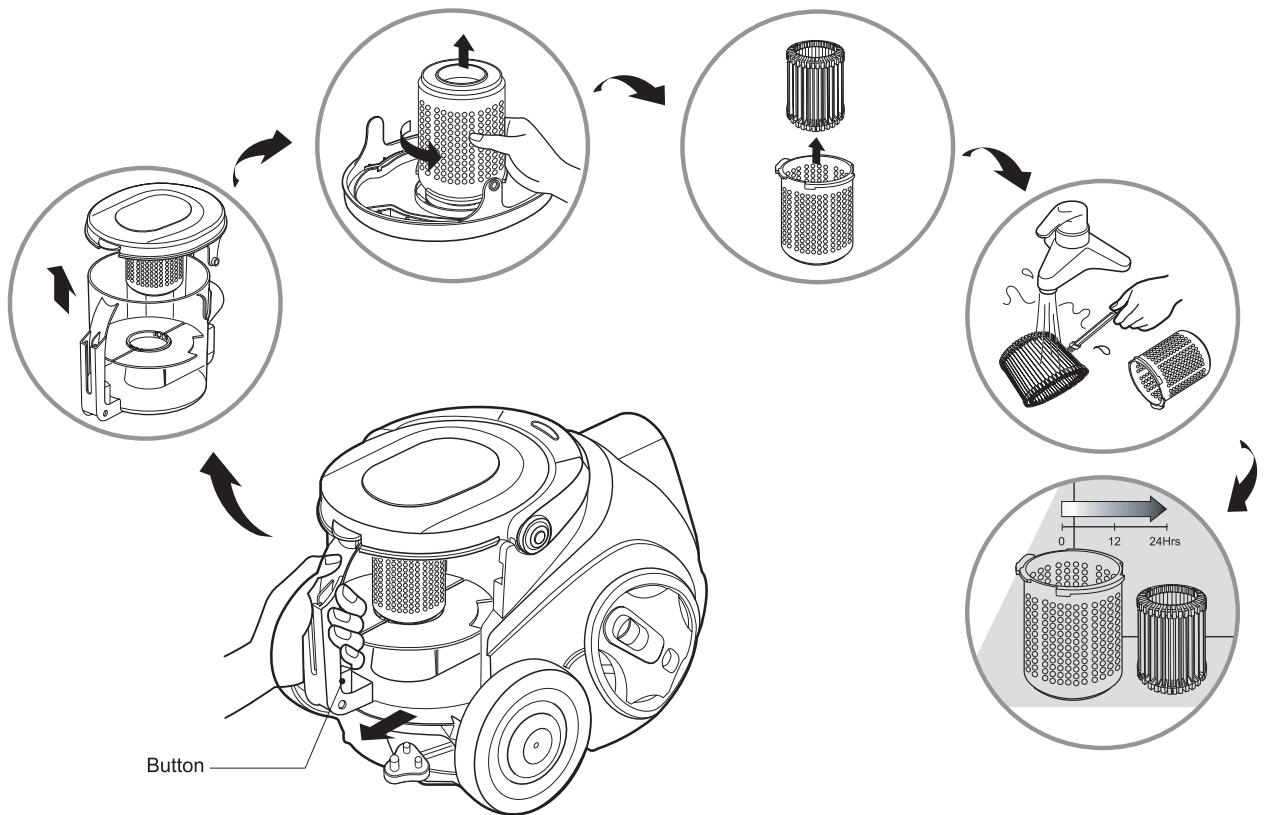
## 2 Adjusting the Suction level(dependent on model)

- Adjust suction with the suction control switch in the hose handle.
- The flexible hose handle has a manual air flow regulator which allows you to adjust the suction level briefly.

## 3 Park System

- To store after vacuuming and pause while vacuuming.
- For deposit after vacuuming, for example to move a small piece of furniture or a rug, use the Park system to support the flexible hose and cleaning head.
  - Slide the hook on the large cleaning head into the slot on the rear of the dust chamber.

## How to Use Cleaning the Filter



The reusable filters are situated under the dust chamber cap and you can use it permanently.

- Press the button and pull the dust chamber forward.
- Open the dust chamber cap.
- Remove the filters by rotating it counter-clockwise.
- **Clean the filters with the dusting brush under cold running water.**
- **Allow the filters to dry in a shaded location for a day.**
- Make the dust chamber empty if dusts are filled to the maximum degree and then clean the filter.

### **⚠ WARNING!**

Gently rinse both parts separately under a cold running water until the water runs clear. **Do not use detergent or a washing machine or dishwasher.** Shake off excess water from the filter.

**Do not tumble/spindry, microwave or place in oven or on direct heat.** Ensure the filter is completely dry.

Re-assemble and place it back in your machine, filter frame.

**If the filter is damaged, do not place them in the machine.**

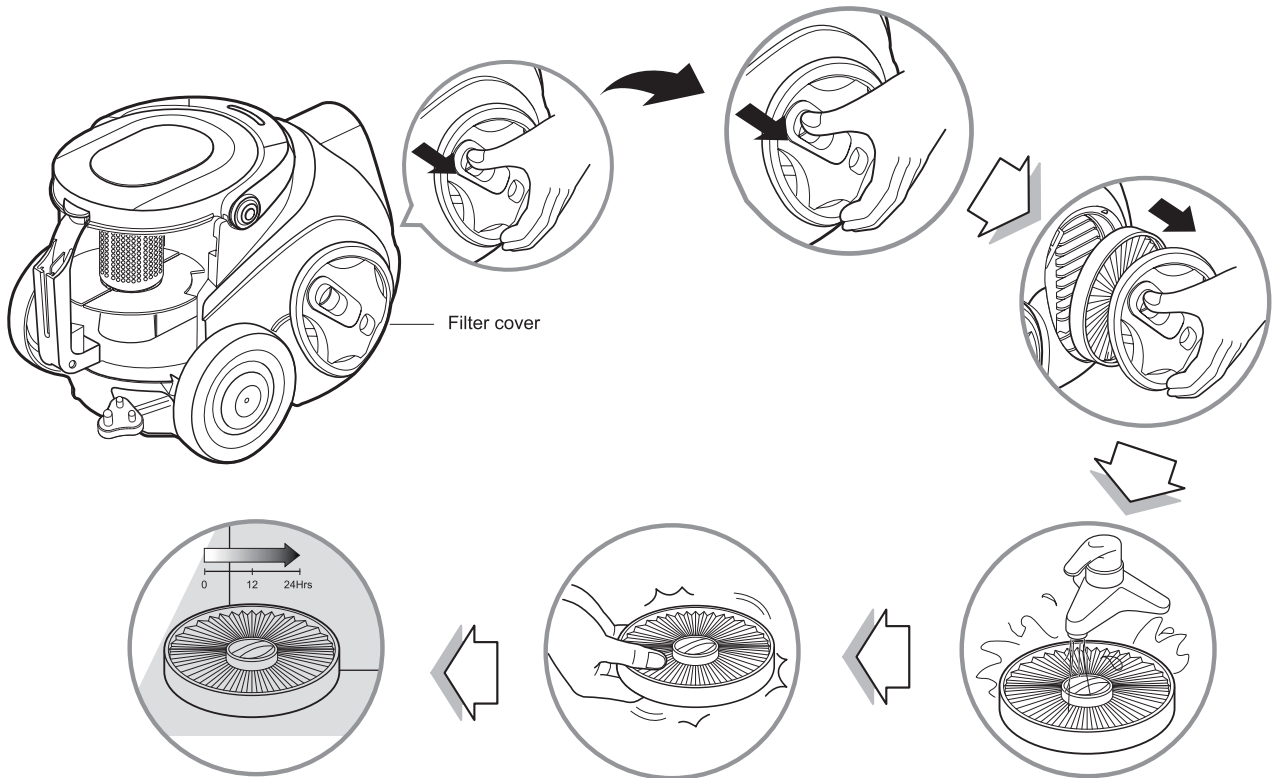
**Please call the Helpline.**

Do not use the net-shaped filter separately.

Do not use the wet filter to avoid clogging.

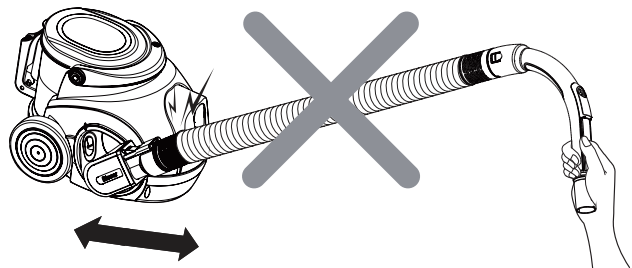
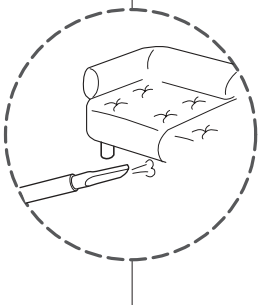
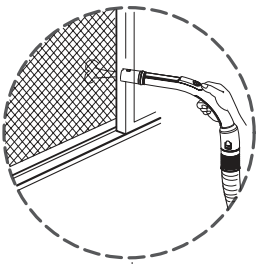
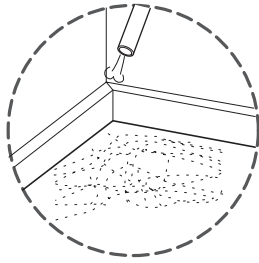


## How to Use Cleaning the Exhaust Filter



- The exhaust filter is a washable and reusable HEPA filter.
- To change the exhaust filter, remove the filter cover on the body by release hook.
- Pull out the exhaust filter.
- Clean it with cold, running water.  
Do Not use the brush  
- Using the brush will cause permanent damage and allow dust to bypass the filter.
- Allow exhaust filter to dry in a shaded location for a dry.
- The exhaust filter should be cleaned at least once a year.

## How to Use Blower Function

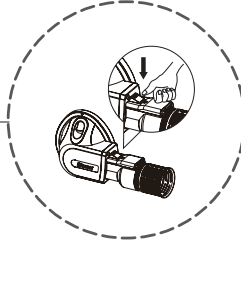
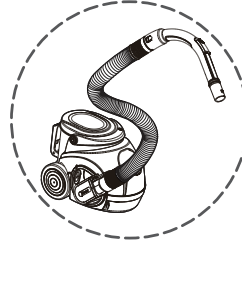
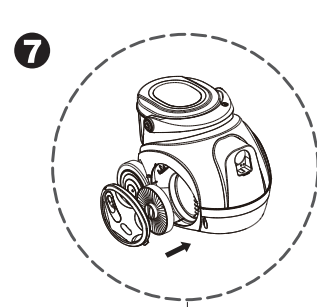
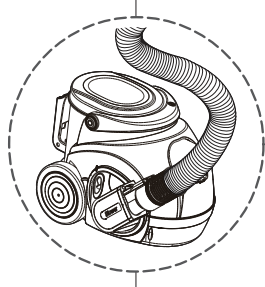
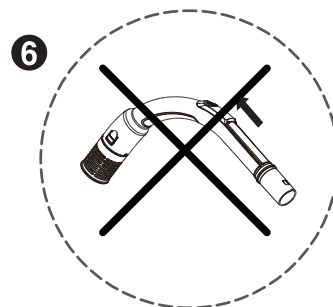
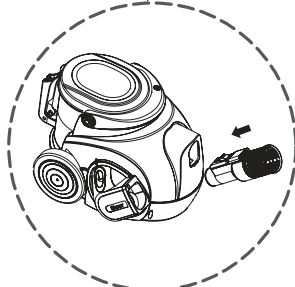
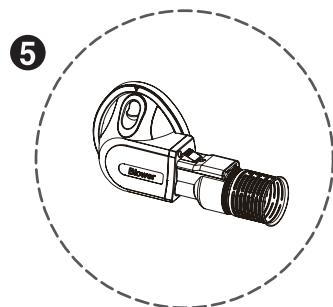
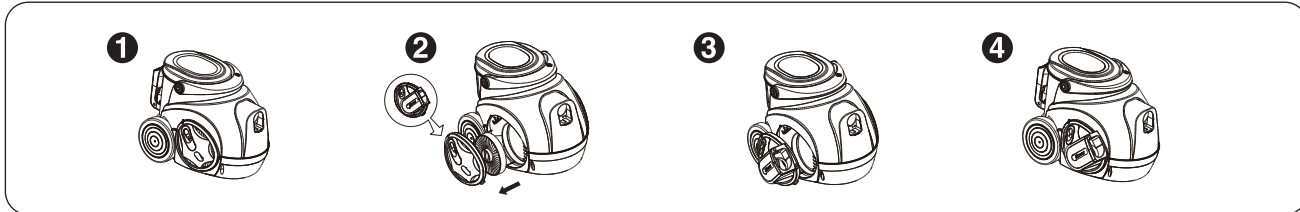


### Blower application

**Application areas:** Behind wall cabinets, heavy cupboards refrigerators and the corners of rooms, net and mesh on windows.

**Notice:** When you're using the Blower Function, don't pull the hose forcibly in case it fall off from the cleaner. Please move the cleaner and hose together. LG vacuum cleaner comes with unique Blower attachment for your convenience. High air flow rate motor gives you the desired blowing effect to clean the hard-to-reach location & crevices.

When using the function of fanning, removal of the exhaust filter and cover. and then, fix up the blower cover.



**5 How to attach**

- Connect hose to Blower In right direction , and don't rotate hose when you're using the Blower Function!

**6 Operate/Speed selection**

- Don't slide the knob on the hose, when using the function of fanning. Otherwise, the noise will be the wind in the hose.

**7 Storage**

- To remove blower cap make use of hose connected to cap, This is easy method.

# How to use Using the Sani punch nozzle

## Features

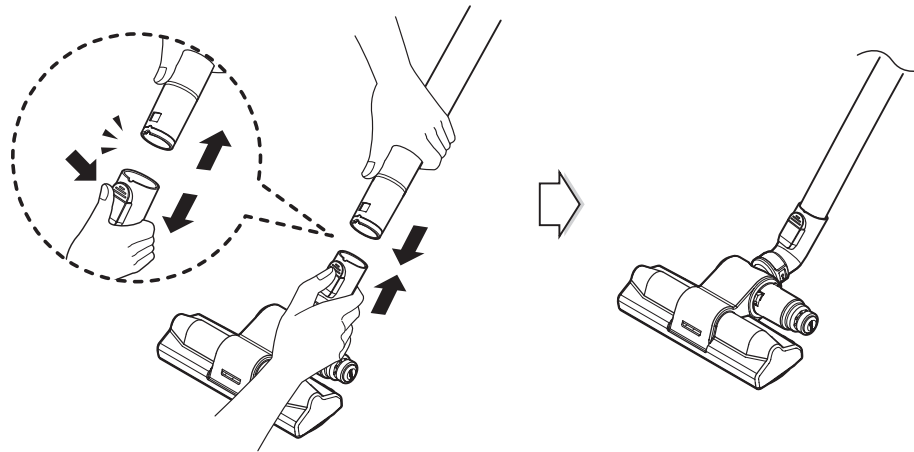
This nozzle picks up even dust inside through beating.  
The bottom part can be separated to be cleaned.  
Since the bottom does not stick to the surface, vacuuming is easy.

## How to use

Follow the directions below for proper use.

## Assembly

Connect the nozzle to the telescopic tube.

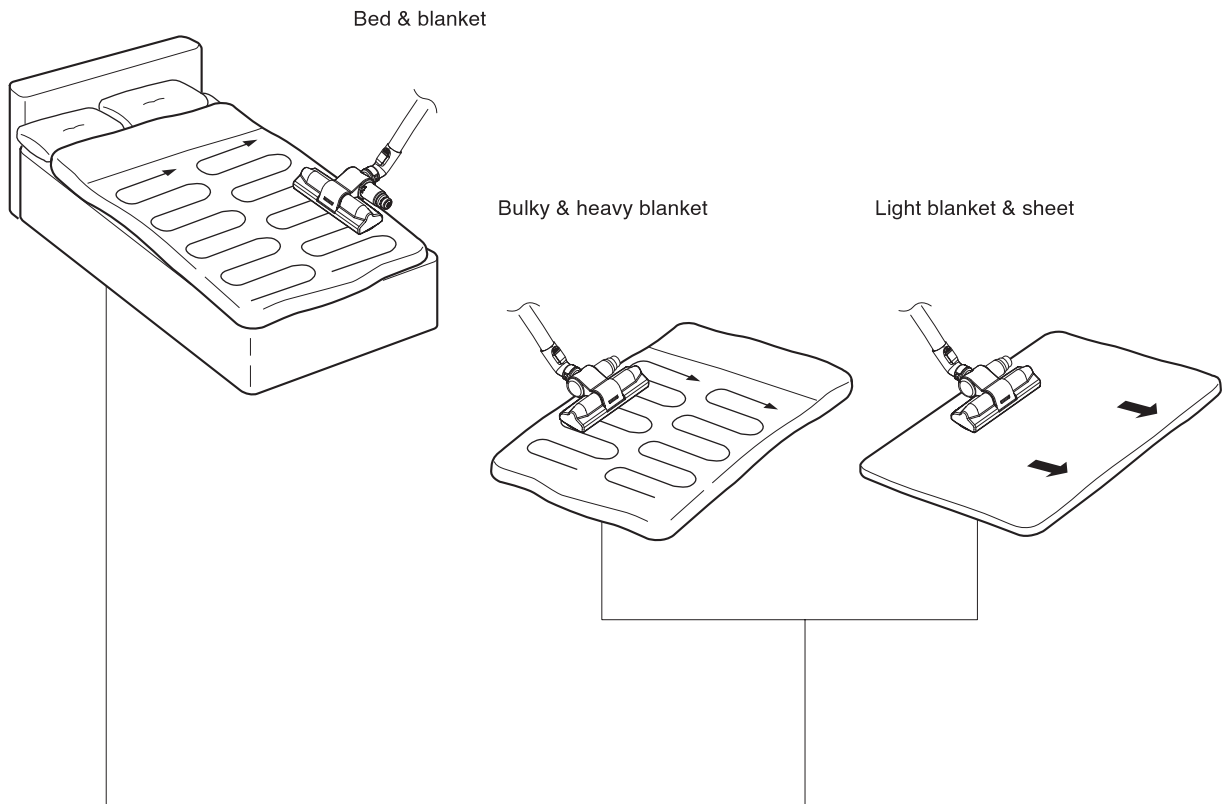


## Sani punch nozzle

Set the suction power control switch to MAX POWER before vacuuming.  
Depending on the type of bedding, handling may be awkward or it may cause a lot of noise.  
If this is the case, adjust the suction power control switch to a lower setting.

This Sani Punch nozzle is for effective cleaning of beds and blankets to remove mites and dust.

### Effective cleaning

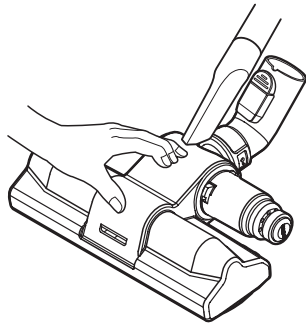


Lay out the blanket and vacuum it on the bed

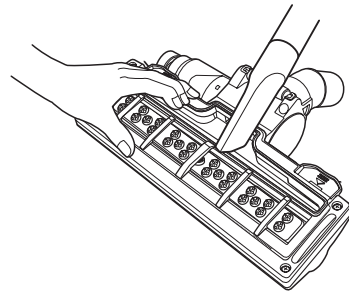
It is easier to clean a light blanket or sheet by pushing the nozzle in the direction of the arrow. To increase cleaning efficiency for light blankets, lay on top of a bulky blanket and then clean.

For simple cleaning of the vacuum nozzle, detach the Sani Punch nozzle from the telescopic tube and attach the crevice tool to vacuum dust.

**Top**



**Bottom**

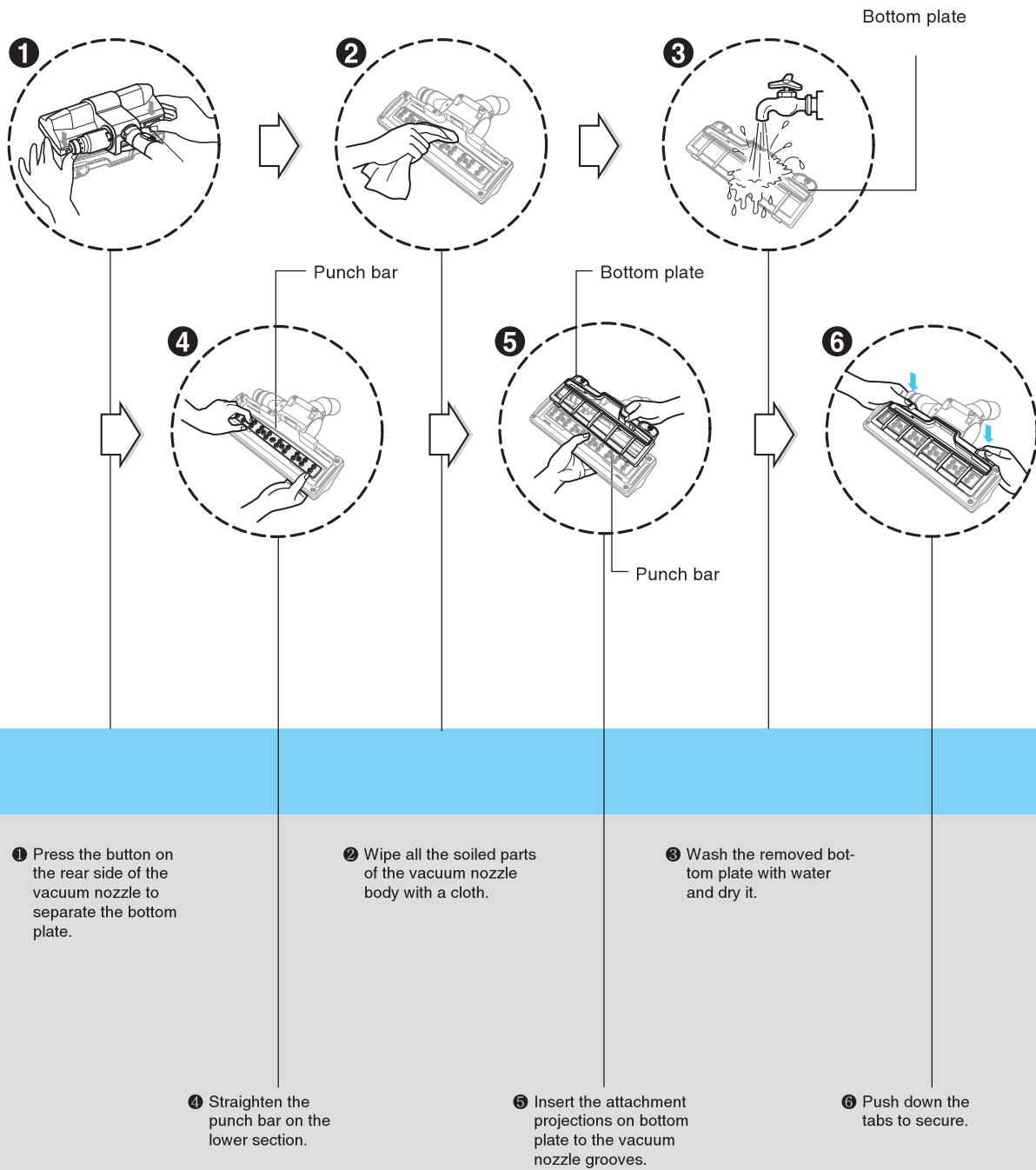


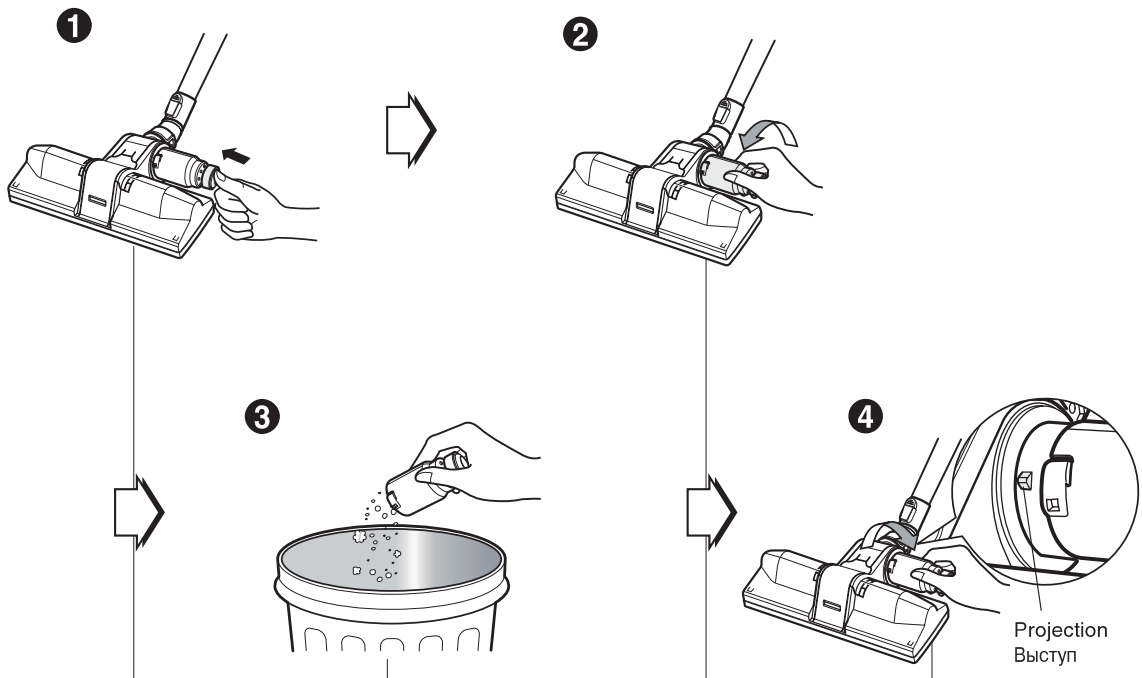
Since the vibrator inside is composed of precision parts, never disassemble the body.  
Be careful not to let foreign objects clog the air suction part on top of the vacuum nozzle.  
Since removal of the punch bar may cause performance problems, do not warp or remove it.  
Attach the bottom plate properly before using. Without this bottom plate, it may not function.

Since this vacuum nozzle has been made exclusively for cleaning beds, blankets and upholstery, use it only for these cleaning purposes.  
(Using it to clean the floor may result soiling it or a drop in performance, do not use it for such purposes.)

Follow the instruction below for through washing.

(Do not soak the entire body of the vacuum nozzle in water, it may cause the vibrator to malfunction)





❶ Push the button 2-3 times when the dust is filled in the dustbin while cleaning

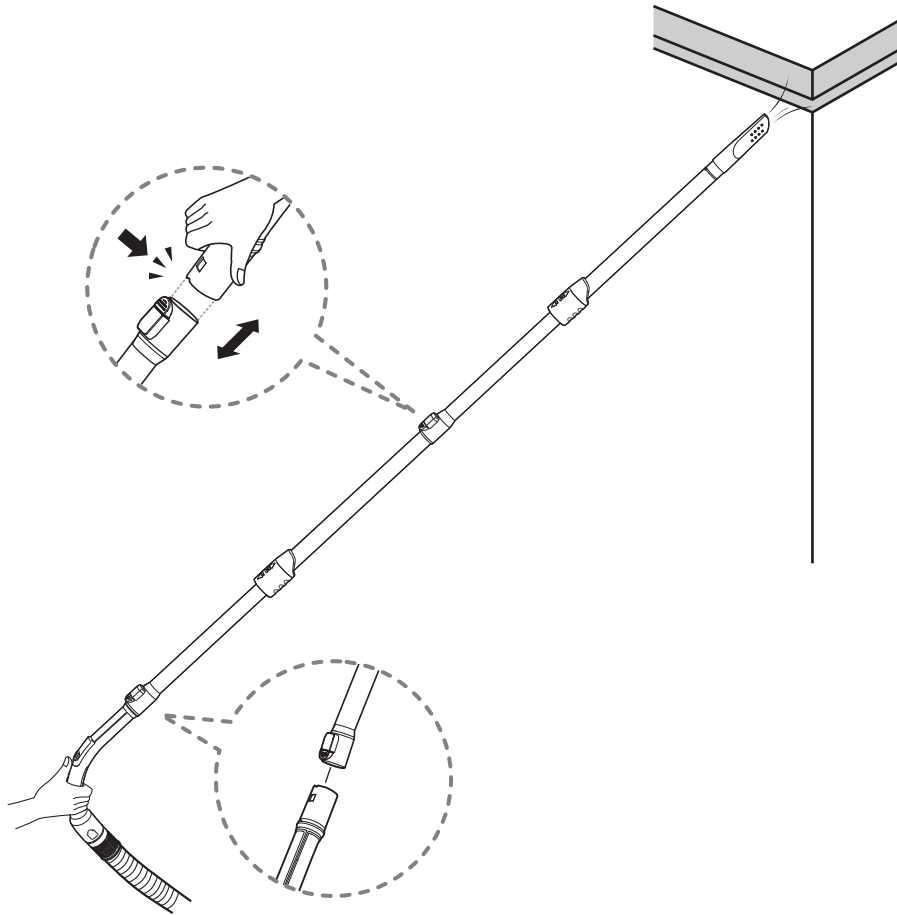
❷ When the dust is fully filled after cleaning, take the bin and turn it counterclockwise to disconnect

❸ Waste the dust in the bin

❹ Take the bin to fix into the projection part and then turn it clockwise to connect.



## How to use Using telescopic pipes

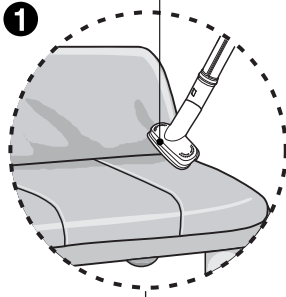


### Using telescopic pipes

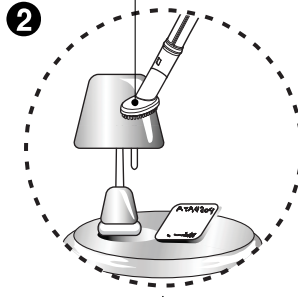
When clean the roof or some place where is too high , you can connect two Telescopic pipes together.

# How to use Using accessory nozzles

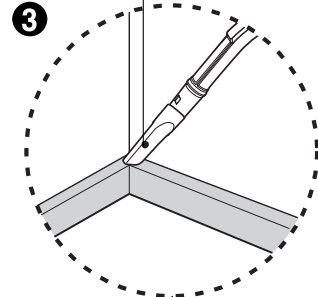
Upholstery nozzle



Dusting brush

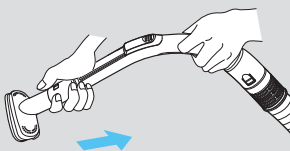


Crevice tool



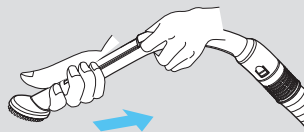
## 1 Upholstery nozzle

Upholstery nozzle is for vacuuming upholstery, mattresses etc.



## 2 Dusting brush

Dusting brush is for vacuuming picture frames, furniture frames, books and other irregular surfaces.



## 3 Crevice tool

Crevice tool is for vacuuming in those normally hard-to-reach places such as reaching cobwebs or between the cushions of a sofa.

# Troubleshooting

## What to Do If Your Vacuum Cleaner Does Not Work

- Check that the vacuum cleaner is correctly plugged in correctly and that the electrical socket is working.

## What to Do When Suction Performance Decreases

- Turn off the vacuum cleaner and unplug it.
- Check the telescopic tube, flexible hose and cleaning tool for blockages or obstructions.
- Check that the dust chamber is not full. Empty if necessary.
- Check that the motor filter light is not on. Clean the motor filter, if necessary.
- Check that the exhaust filter is not blocked. Clean the exhaust filter, if necessary.
- If you are still experiencing problems, please contact your local service centre.  
To locate your nearest service centre you can visit our web site [www.lge.com.au](http://www.lge.com.au)

# WARRANTY

This LG Vacuum Cleaner comes with 12 months warranty, from the date of purchase against defective material or workman ship subject to following terms & conditions. In case of a defect, LG Electronics India Limited undertakes to get the set repaired free of charge.

## INSTRUCTIONS FOR THE CUSTOMER

1. This warranty card has 2 parts. Kindly ensure that the dealer fills all parts correctly.
2. Part A is the customer's copy. It should be retained by you for record.
3. Part B must be torn and mailed to the nearest LG ELECTRONICS BRANCH OFFICES listed in this booklet. If not, please tell the dealer to keep Part B for collection.
4. In the event of a defect developing in the product, contact the authorized LG Electronics Service Centre, for obtaining warranty service and inform him of the defect ,Model No. & SI.No.

## TERMS AND CONDITIONS

1. Repairs & Replacements will be carried out through authorized LG Electronics Service Centres.
2. For Units installed beyond the municipal limits of the jurisdiction of the authorize LG Electronics Service Centres, all expenses incurred in collecting the units or parts there of, as well as expenses incurred with deputizing of service personnel/technicians towards conveyance and other incidentals etc. will be borne by the customer.
3. Components subject to wear, such as carbon brushes and Plastic part &/or accessories are not covered by this Warranty.
4. While the company will make every effort to carry out repairs at the earliest, it however is made expressly clear that the company is under no obligation to do so in a specified period of time.
5. The company or its authorized LG Electronics Service Centres reserves the right to retain any part(s) or components replaced at its discretion, in the event of a defect being noticed in the equipment during the warranty period.
6. Warranty does not cover accessories external to the equipment supplied by the dealer.

### CUSTOMER COPY

### PART A

MODEL NO.:  
UNIT Sr.No.:

DATE OF PURCHASE:

CUSTOMER NAME & ADDRESS
_____
_____
TEL. _____

DEALER NAME & ADDRESS
_____
_____
TEL. _____

Customer's Signature

Dealer's Signature

This card is valid only if it is filled in and stamped by our authorized dealer on the date of purchase.

### **Warranty voids if:**

1. The warranty card is not completed properly at the time of purchase.
2. The completed warranty card is not presented to authorized personnel at the time of service of the product.
3. The Vacuum Cleaner is not operated according to instructions given in the "Owner's Manual" booklet.
4. Defects are caused by improper or reckless use, which shall be determined by company personnel.
5. Any repair work is carried out by persons other than authorized company personnel.
6. Defects are caused due to causes beyond control like lightning, abnormal voltage, acts of God or while in transit to service centre or purchaser's residence.
7. The warranty is not valid in case, the Serial Number is deleted, defected or altered.

### COMPANY COPY

### PART B

MODEL NO.:  
UNIT Sr.No.:

DATE OF PURCHASE:

CUSTOMER NAME & ADDRESS
_____
_____
TEL. _____

DEALER NAME & ADDRESS
_____
_____
TEL. _____

Customer's Signature

Dealer's Signature

This card is valid only if it is filled in and stamped by our authorized dealer on the date of purchase.

 LG Electronics



# Notes





# Notes







### **Disposal of your old appliance**

1. When this crossed-out wheeled bin symbol is attached to a product it means the product is covered by the European Directive 2002/96/EC.
2. All electrical and electronic products should be disposed of separately from the municipal waste stream via designated collection facilities appointed by the government or the local authorities.
3. The correct disposal of your old appliance will help prevent potential negative consequences for the environment and human health.
4. For more detailed information about disposal of your old appliance, please contact your city office, waste disposal service or the shop where you purchased the product.

